

**IMPORTANT:**  
KEEP THESE INSTRUCTIONS  
FOR FUTURE REFERENCE.

**PACIFIC  
ENERGY**

# Alderlea T5 Insert, T5 Classic Insert

## INSTALLATION AND OPERATING INSTRUCTIONS



### SAFETY NOTICE

If this stove is not properly installed, a house fire may result. For your safety, follow the installation instructions. Contact local building or fire officials about restrictions and installation inspection requirements in your area.

## MODEL: ALT5 INSERT SERIES - D

---

# Contents

Maintenance Checks.....	3
Maintenance .....	4
Baffle Removal.....	4
Creosote .....	5
Formation and Need for Removal.....	5
Chimney Fires.....	5
In Case of a Chimney Fire .....	5
Avoiding a Chimney Fire .....	5
Operation .....	6
Wood Selection.....	6
How to Test Your Wood .....	6
Lighting the Fire .....	6
Normal Operation .....	6
Restarting After Extended or Overnight Burns.....	7
More Wood, More Heat.....	7
Proper Draft.....	7
Ash Removal.....	7
Disposal of Ashes .....	7
Blower .....	7
Blower Operation .....	7
Electrical Supply .....	7
Safety.....	8
Clearances.....	8
Masonry or Factory Built Fireplace .....	8
Dimensions .....	10
Installation.....	11
Fireplace Specifications .....	11
Into a Masonry Fireplace .....	11
Full Flue Liner (Fig #2).....	12
Combustion Air.....	12
Fan Speed Controller Relocation .....	14
Fan Removal/Installation.....	16
Surround Assembly and Installation.....	18
Replacement Parts, Alderlea T5 .....	19
Replacement Parts, Alderlea T5 Classic.....	20
Troubleshooting.....	21
Firebrick Installation .....	22
Label .....	23

---

# Maintenance Checks

Check the following parts for damage such as cracks, excessive corrosion, burned out sections and excessive warping: (See website for descriptions and more detail)

## Weekly:

- Firebrick - Visual, for cracking.
- Door Gasket - sagging, placement, damage.

## Monthly

- Brick rail tabs and brick rails.
- Air riser tube in the back of the firebox.
- Back side of airwash chamber.
- Baffle locking pin.
- Boost tube cover.

## When Cleaning the Chimney System:

- Top baffle board/blanket.
- Baffle.
- Top heat shield and mounting bolt.
- Baffle Gasket.
- Brick Rails.
- Manifold.

\*\* - Some warping of the baffle is normal(up to .65cm).

- Replace if the baffle has permanent warping greater than this or has cracking or breakage.
- Please contact your Dealer if you experience any of the damage listed above. Continuing to operate your stove with broken parts may accelerate damage to other parts and may void your warranty

**WARNING: Do not overtighten, tighten screws very carefully.**

- Do not clean glass when hot
- Do not use abrasive cleaners on glass

# Maintenance

1. Burn wood only, dry and well seasoned. The denser or heavier the wood when dry, the greater its heat value. This is why hardwoods are generally preferred. Green or wet wood will cause a rapid buildup of creosote. If you feel it is necessary to burn wet or unseasoned wood, do so only with the air inlet set open enough to maintain a good strong fire and fairly high chimney temperatures. Do not attempt to burn overnight using green or wet wood. Wet wood can cause up to 25% drop in heater output, as well as contributing significantly to creosote buildup.

**WARNING: Never use chemicals or any other volatile liquid to start a fire. Do not burn garbage, or flammable fluids such as gasoline, naphtha, or engine oil. We strongly recommend that smoke detectors be installed.**

2. Remove ashes frequently. Embers can roll out the door and create a fire hazard. Maintain a 25mm minimum ash base.

3. If glass becomes darkened through slow burning or poor wood, it can readily be cleaned with any fireplace glass cleaner when stove is cold. Never scrape with an object that might scratch the glass. The type and amount of deposit on the glass is a good indication of flue pipe and chimney buildup. A light brown, dusty deposit that is easily wiped off usually indicates good combustion and dry, well-seasoned wood and, therefore, relatively clean pipes and chimney. On the other hand, a black, greasy deposit that is difficult to remove is a result of wet and green wood and too slow a burning rate. This heavy deposit is building up at least as quickly in the chimney.

**WARNING: Only use materials supplied by the manufacturer when doing maintenance or replacements.**

4. **DOOR GASKET** - The gasket used by Pacific Energy requires only light pressure to seal. This will prolong seal life. It is important that the door seal be maintained in good condition. Periodically inspect seals and replace if necessary.

5. **DOOR GLASS** - Do not slam loading door or otherwise impact glass. When closing door, make sure that no logs protrude to contact the glass. If the glass gets cracked or broken, it must be replaced before using the stove. Replacement glass can be obtained from your Dealer. The size required is 289mm x 438mm x 5 mm. Ceramic glass must be used. Do not substitute with any other type.

To remove broken glass, undo the four retaining screws and remove the clamps, noting position for re-assembly. Remove all particles of glass. Be careful, as they are very sharp. Install new glass complete with gasket. Replace clamps and screws.

6. The area where boost combustion air enters the firebox must be kept clear of excessive ash buildup which will block air flow. This area is at the front of the firebox.

7. Do not store wood within heater installation clearances, or within the space required for fuel loading and ash removal. Keep the area around the heater clean and free of all combustibles, furniture, newspapers, etc.

8. If a plated door requires cleaning, use mild soap and water only. Use of abrasive cleaners will void warranty.

9. Establish a routine for the fuel, wood burning and firing technique. Check daily for creosote buildup until experience shows how often you need to clean to be safe.

10. Be aware that the hotter the fire, the less creosote is deposited. Weekly cleaning may be necessary in mild weather, even though monthly cleaning is usually enough in the coldest months when burning rates are higher.

11. Instruct all members of your family on the safe operation of the heater. Ensure they have enough knowledge of the entire system if they are expected to operate it. Stress the section on chimney fires and the importance of following the steps outlined in "In Case of Chimney Fire."

## Baffle Removal

The baffle should be removed from the fireplace to clean and inspect the chimney liner.

**DO NOT OPERATE WITH BAFFLE ASSEMBLY OR INSULATION REMOVED.**

## Baffle Assembly Removal

Remove retaining pin at the back top of the firebox, just under the baffle. Lift baffle up and pull forward to disconnect from the supply tube. Tilt baffle sideways to drop down and remove from firebox.

Inspect gasket between baffle and supply tube. If necessary, replace with gasket # 139.5 available from your nearest Pacific Energy Dealer.

Re-install baffle assembly and insulation by reversing order.

**It is recommended to inspect the liner and connector monthly and to have the liner cleaned annually or more frequently if required.**

**Cover the opening in the top of the rear upflow tube when cleaning the chimney liner. If debris gets into the tube it can cause the tube to prematurely burn out.**

---

# Creosote

## Formation and Need for Removal

When wood is burned slowly, it produces tar and other organic vapours, which combine with expelled moisture to form creosote. The creosote vapours condense in the relatively cool chimney flue of a slow burning fire. As a result, creosote residue accumulates on the flue lining. When ignited, this creosote makes an extremely hot fire. The chimney connector and chimney should be inspected at least once every two months during the heating season to determine if a creosote buildup has occurred. If creosote has accumulated, it should be removed to reduce the risk of a chimney fire.

1. Highest smoke densities occur when a large amount of wood is added to a bed of hot coals and the air inlet is closed. The heated wood generates smoke, but without ample air, the smoke cannot burn. Smoke-free, clean burning requires small fuel loads, two or three logs at a time or 1/4 to 1/2 of a fuel load and leaving the air inlet relatively wide open, especially during the first 10 to 30 minutes after each loading, when most of the smoke generating reactions are occurring. After 30 minutes or so, the air inlet can be turned down substantially without excessive smoke generation. Wood coals create very little creosote-producing smoke.
2. The cooler the surface over which wood smoke is passing, the more creosote will be condensed. Wet or green wood contributes significantly to creosote formation as the excess moisture that is boiled off cools the fire, making it difficult for the tars and gasses to ignite, thus creating dense smoke and poor combustion. This moisture-laden smoke cools the chimney, compounding the problem by offering the smoke the ideal place to condense.

In summary, a certain amount of creosote is inevitable and must be lived with. Regular inspection and cleaning is the solution. The use of dry, seasoned wood and ample combustion air will help to minimize the buildup.

## Chimney Fires

The result of excessive creosote buildup is a chimney fire. Chimney fires are dangerous. Chimney inside temperatures can exceed 2000 degrees F. This causes much higher than normal temperatures in the chimney and on its exterior surfaces thus ignition of nearby or touching combustible material is more likely during a chimney fire. Proper clearances are critical if such a fire should occur.

Chimney fires are easy to detect; they usually involve one or more of the following:

- Flames and sparks shooting out of the top of the chimney
- A roaring sound
- Vibration of the chimney

## In Case of a Chimney Fire

1. Prepare to evacuate to ensure everyone's safety. Have a well understood plan of action for evacuation. Have a place outside where everyone is to meet.
2. Close down the damper on stove.
3. Call local fire department. Have a fire extinguisher handy. Contact your local fire authority for further information on how to handle a chimney fire. It is most important that you have a clearly understood plan on how to handle a chimney fire.
4. After the chimney fire is out, the chimney must be cleaned and checked for stress and cracking before starting another fire. Also check combustibles around chimney and the roof. This should be done by a certified inspector/chimney sweep.

## Avoiding a Chimney Fire

There are two ways to avoid chimney fires:

1. Do not let creosote build up to a point where a chimney fire is possible.
2. Do not have fires in the heater that may ignite chimney fires. These are hot fires, such as when burning household trash, cardboard, Christmas tree limbs, or even ordinary fuel wood; (eg. with a full load on a hot bed of coals and with the air inlet wide open).

# Operation

## Wood Selection

This heater is designed to burn natural wood only. Higher efficiency and lower emissions generally result when burning air-dried seasoned hardwoods, as compared to softwoods or too green or freshly cut hardwoods.

Wood should be properly air dried (seasoned) for six months or more. Wet or undried wood will cause the fire to smoulder and produce large amounts of creosote. Wet wood also produces very little heat and tends to go out often.

### DO NOT BURN:

- |                    |                    |
|--------------------|--------------------|
| -*Salt water wood  | -Coal/charcoal     |
| -Treated wood      | -*Garbage/Plastics |
| -Wet or green wood | -Solvents          |

\* These materials contain chlorides which will rapidly destroy metal surfaces and void warranty.

Do not burn anything but wood. Other fuel, e.g. charcoal, can produce large amounts of carbon monoxide, a tasteless, odourless gas that can kill. Under no circumstances should you attempt to barbecue in this heater.

## How to Test Your Wood

Add a large piece of wood to the stove when it has a good, large bed of coals. It is dry if it is burning on more than one side within one minute. It is damp if it turns black and lights within three minutes. If it sizzles, hisses and blackens without igniting in five minutes it is soaked and should not be burnt.

**WARNING: Do not use grates or andirons to elevate the fuel. Burn directly on the firebricks. Replace broken or missing bricks. Failure to do so may create a hazardous condition.**

Your Pacific Energy heater is designed for maximum overall efficiency at a moderate firing rate. Overfiring is hazardous and a waste of fuel. Too slow a burn contributes to creosote buildup and lowers combustion efficiency.

## Lighting the Fire

**WARNING: Never use gasoline, gasoline-type lantern fuel, kerosene, charcoal lighter fluid, or similar liquids to start or 'freshen up' a fire in this heater. Keep all such liquids well away from the heater while in use.**



- 1) Adjust air control to "H" (high) position (pushed to the far left) and open door.
- 2) Place crumpled newspaper in the centre of the heater and criss-cross with several pieces of dry kindling. Add a few small pieces of dry wood on top.
- 3) Ignite the paper and close the door.
- 4) After the fire has established itself, open the door and add a few small logs. Close door.
- 5) Begin normal operation after a good coal base exists and wood has charred.

## Normal Operation

- 1) Set air control to desired setting. If smoke pours down across the glass (waterfall effect), this indicates you have shut the control down too soon or you are using too low a setting. As every home's heating needs vary (i.e. insulation, windows, climate, etc.), the proper setting can only be found by trial and error and should be noted for future burns.
- 2) To refuel, adjust air control to "H" (high) position (pushed to the far left) and give the fire time to brighten. Open door slowly, this will prevent backpuffing.
- 3) Use wood of different shape, diameter and length (up to 19"). Load your wood endwise and try to place the logs so that air can flow between them. Always use dry wood.
- 4) Do not load fuel to a height or in such a manner that would be hazardous when opening the door.
- 5) For extended or overnight burns, unsplit logs are preferred. Remember to char the wood completely on "H" (high) setting before adjusting air control for overnight burn.

**WARNING: Always keep loading door closed when burning. If the door is left partly open, gas and flames may be drawn out of the fireplace stove opening creating risks from fire and/or smoke. This heater is not designed for open door burning, unless a manufacturer supplied screen is used.**

**WARNING: This method is not a substitute for regular chimney inspections and cleaning.**

- 5) To achieve maximum firing rate, set control to "H" (high) position (pushed to the far left). Do not use this setting other than for starting or preheating fresh fuel loads.

**DO NOT OVERFIRE THIS HEATER: Attempts to achieve heat output rates that exceed heater design specifications can result in permanent damage to the heater and chimney.**

**WARNING: No alteration or modification of the combustion air control assembly is permitted. Any tampering will void warranty and could be very hazardous.**

**Do not store/place wood or other combustibles within the required clearances surrounding the unit.**

## Restarting After Extended or Overnight Burns

- 1) Open door and rake hot embers towards the front of the heater. Add a couple of dry, split logs on top of embers, close door.
- 2) Adjust air control to "H" (high) position (pushed to the far left) and in just a few minutes, logs should begin burning.
- 3) After wood has charred, reset air control to desired setting.
- 4) When burning at a slow rate for extended periods, occasionally maintain a strong fire under supervision for a couple of hours to relieve firebox and chimney deposits as well as any of the deposits on the glass.

## More Wood, More Heat

Seasoned wood has approximately 7500 BTU's per pound. If you put 10 pounds of wood in your stove for an eight hour burn the wood will be producing 9375 BTU's per hour. (7500 BTU x 10 lbs / 8 hrs. = 9375 BTU's per hr.). If you put 20 lbs of wood in your stove for an eight hour burn you will get 18,750 BTU's per hr. (7500 BTU x 20 lbs / 8 hrs. = 18,750 BTU's per hr.). This is only an example and is based on 100% efficiency. In reality, your stove should perform in the 70% efficiency range.

Experience will give you the right settings for proper combustion and efficient burning. Remember, the air inlet setting is affected by variables such as type of wood, outside temperature, chimney size and weather conditions. With practice, you will become proficient in operating your heater and will obtain the performance for which it was designed.

## Proper Draft

- 1) Draft is the force which moves air from the appliance up through the chimney. The amount of draft in your chimney depends on the length of the chimney, local geography, nearby obstructions and other factors.
- 2) Too much draft may cause excessive temperatures in the appliance. An uncontrollable burn or a glowing red stove part or chimney indicates excessive draft.
- 3) Inadequate draft may cause backpuffing into the room and plugging of the chimney. Smoke leaking into the room through appliance and chimney connector joints indicates inadequate draft.

## Ash Removal

Whenever ashes get 3 to 4 inches deep in your firebox, and when fire has burned down and cooled, remove excess ashes. Leave an ash bed approximately 1 inch deep on the firebox bottom to help maintain a hot charcoal bed.

## Disposal of Ashes

Ashes should be placed in a metal container with a tight fitting lid. The closed container of ashes should be placed on a non-combustible floor or on the ground, well away from all combustible materials, pending final disposal. If the ashes are disposed of by burial in soil or otherwise locally dispersed, they should be retained in the closed container until all cinders have thoroughly cooled. Other waste should not be placed in this container!

# Blower

The Alderlea Insert comes equipped with twin variable speed circulating air blowers. The blower system is thermostatically controlled for automatic operation, as well as manually with a convenient bypass switch.

## Blower Operation

**Automatic:** To operate the blowers automatically, push the rocker switch to the "OFF" position and set the fan speed control to a desired setting.

This will allow the blowers to turn on automatically once the Insert has come up to operating temperature. It will also shut the blower off after the fire has gone out and the appliance has cooled to below a useful heat output range.

**Manual:** To manually operate the blowers, push the rocker switch to the "ON" position and set the fan speed control to a desired setting. This will bypass the temperature switch and allow full control of the blower.

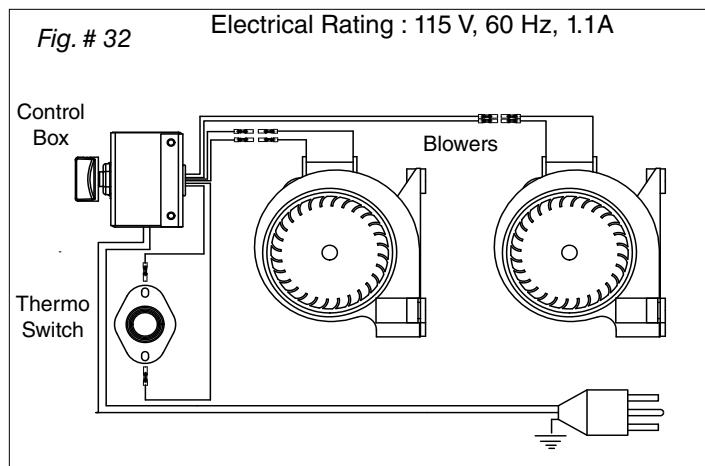
Suggested settings:

- Combustion air control setting of "L" (low) position (pushed to the far right), operate blower speed control on "Low".
- Combustion air control set at anything above "L" (low), operate blower speed control at desired setting.

## Electrical Supply

Circulating air blower electrical rating; 115V, 60 Hz, 1.1 A. For your protection against shock hazard, use only a properly grounded outlet that will accept a three-pronged plug. Do not cut or remove the grounding prong. Do not route power cord under unit. Power cord must be routed to avoid contact with any hot or sharp surfaces.

All electrical connections to and within an appliance shall be in accordance with the requirements of AS/NZS 3000, AS/NZS 3100 or ER 93 and the regulatory authority as appropriate.



# Safety

Please read this entire manual before installation and use of this wood burning insert. Failure to follow these instructions could result in property damage, bodily injury or even death.

We strongly recommend that smoke detectors be installed. If smoke detectors have been previously installed, you may notice that they are operating more frequently. This may be due to curing of stove paint or fumes caused by accidentally leaving the fire door open. Do not disconnect the detectors. If necessary, relocate them to reduce their sensitivity.

**SAFETY NOTICE:** If this stove is not properly installed, a house fire may result. For your safety, follow the installation directions. Consult local building or fire officials about restrictions and installation inspection requirements in your area.

# Clearances

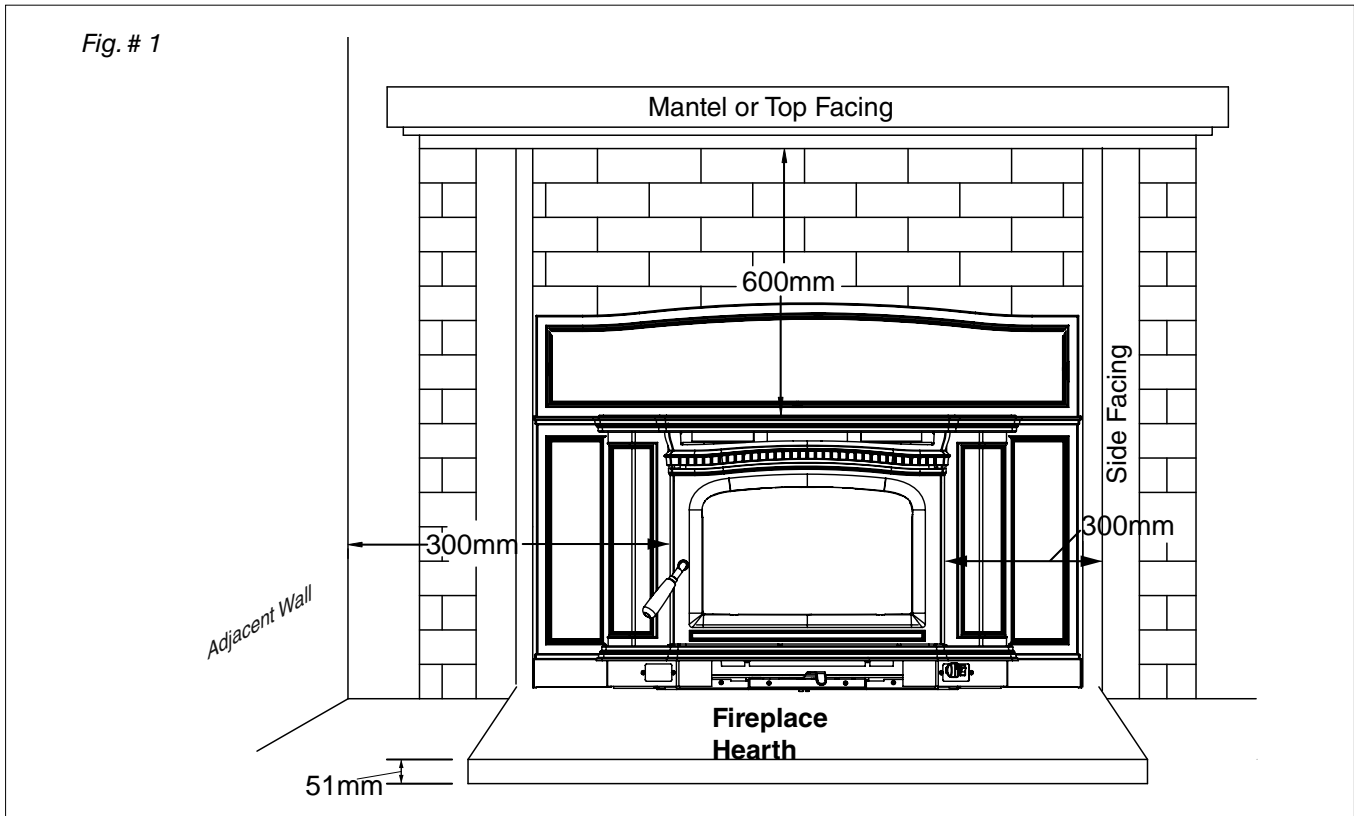
## Masonry or Factory Built Fireplace

The minimum required clearances to surrounding combustible materials when installed into a masonry or factory built fireplace are listed below and in figure #1.

### Minimum Clearances to Combustibles (Measured From Insert Door and Decorative Top)

Adjacent Sidewall .....	300mm.
Mantel .....	600mm.
Top Facing .....	600mm.
Side Facing .....	300mm.

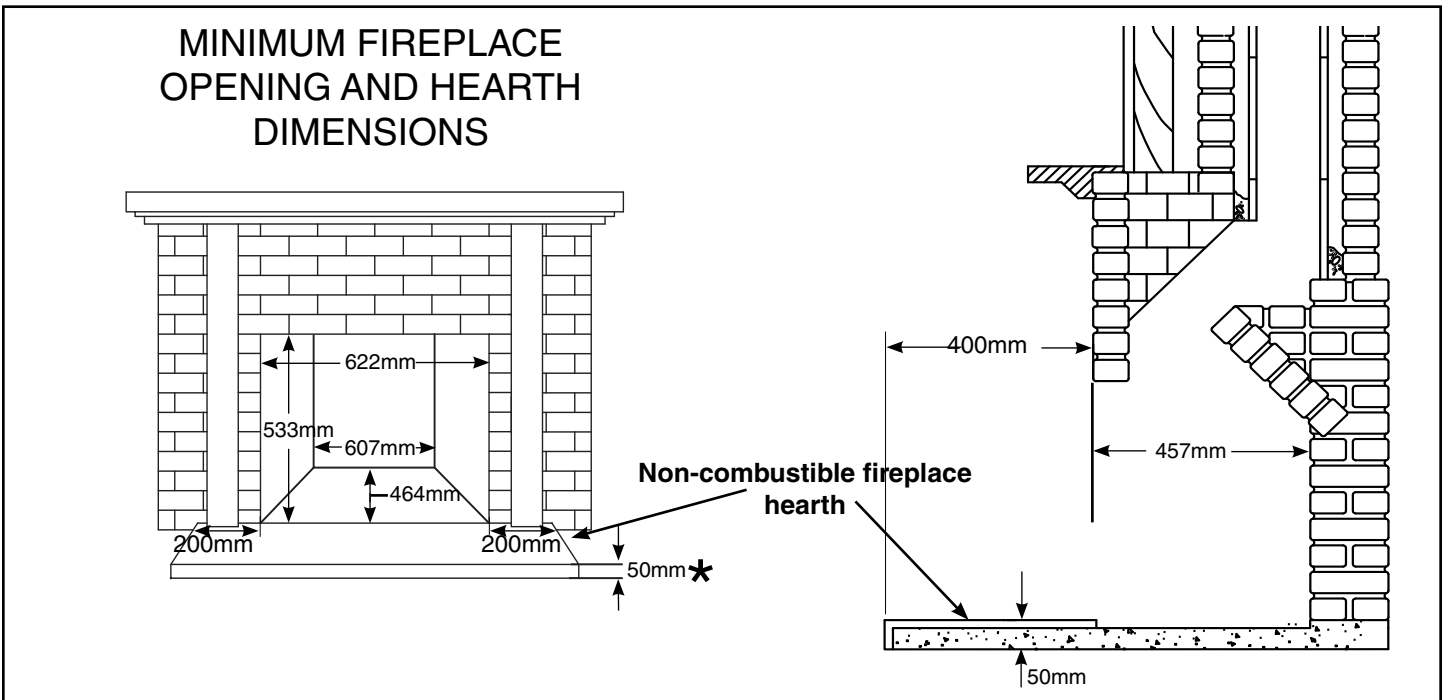
**CAUTION:** Unit hot while in operation. Parts of the appliance, especially the external surfaces, will be hot to touch when in operation. Keep children, clothing and furniture away. Contact may cause skins burns.





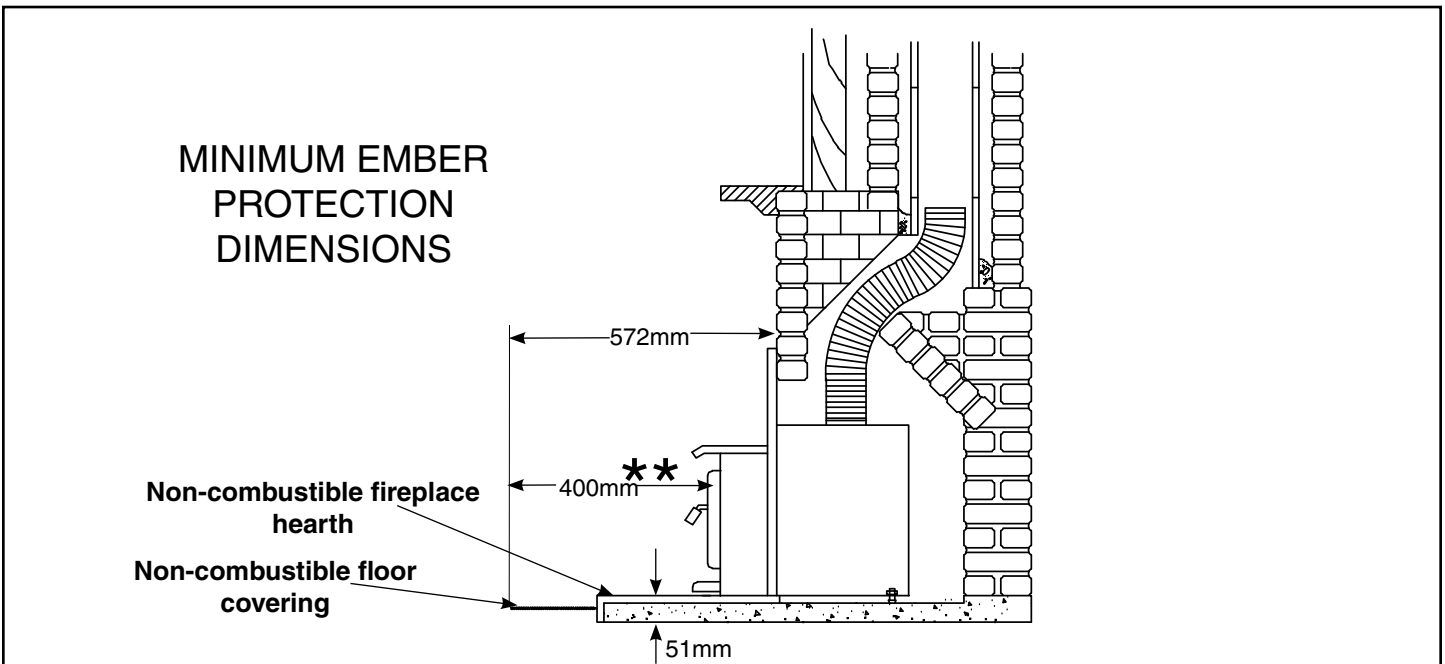
**★ Fireplace hearth requirements: (Measured without the insert)**

The non-combustible fireplace hearth must be raised 50mm above an adjacent combustible floor and extend 400mm in front and 200mm beyond each side of the existing fireplace opening. A non-combustible hearth that extends a minimum 600mm in front of the fireplace opening may be flush to an adjacent combustible floor.



**★★ Ember protection:**

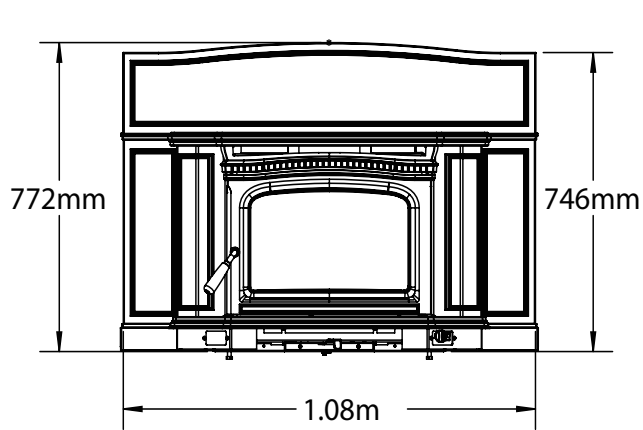
Combustible floor in front of the fireplace insert must be protected from hot embers by non-combustible material extending 400mm to the firing side from the door and 200mm to other sides of the unit.



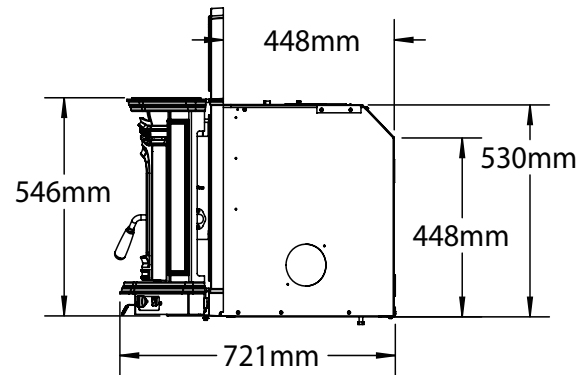
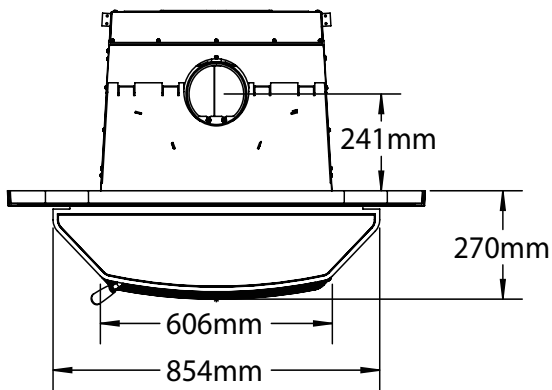
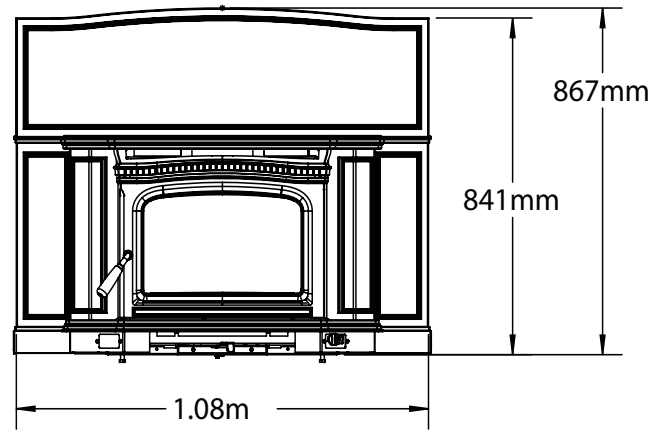
# Dimensions

## ALT5 INSERT & ALT5 CLASSIC INSERT

WITH REGULAR SURROUND



WITH OVERSIZED SURROUND



---

# Installation

## Warning:

Under no circumstances is this heater to be installed in a makeshift or “temporary” manner. It may be fired only after the stove is installed properly.

DO NOT ATTEMPT TO CONNECT THIS HEATER TO ANY AIR DISTRIBUTION DUCT.

Outside combustion air or fresh air into the room may be required in your area, consult local building codes (see Combustion Air section).

**WARNING: THE APPLIANCE AND FLUE-SYSTEM SHALL BE INSTALLED IN ACCORDANCE WITH AS/NZS 2918 AND THE APPROPRIATE REQUIREMENTS OF THE RELEVANT BUILDING CODE OR CODES**

**WARNING: APPLIANCES INSTALLED IN ACCORDANCE WITH THIS STANDARD SHALL COMPLY WITH THE REQUIREMENTS OF AS/NZS 4013 WHERE REQUIRED BY THE REGULATORY AUTHORITY, I.E. THE APPLIANCE SHALL BE IDENTIFIABLE BY A COMPLIANCE PLATE WITH THE MARKING ‘TESTED TO AS/NZS 4013’.**

**ANY MODIFICATION OF THE APPLIANCE THAT HAS NOT BEEN APPROVED IN WRITING BY THE TESTING AUTHORITY IS CONSIDERED TO BE IN BREACH OF THE APPROVAL GRANTED FOR COMPLIANCE WITH AS/NZS 4013.**

CAUTION: MIXING OF APPLIANCE OR FLUE-SYSTEM COMPONENTS FROM DIFFERENT SOURCES OR MODIFYING THE DIMENSIONAL SPECIFICATION OF COMPONENTS MAY RESULT IN HAZARDOUS CONDITIONS. WHERE SUCH ACTION IS CONSIDERED, THE MANUFACTURER SHOULD BE CONSULTED IN THE FIRST INSTANCE.

CAUTION: CRACKED OR BROKEN COMPONENTS, e.g. GLASS PANELS OR CERAMIC TILES, MAY RENDER THE INSTALLATION UNSAFE.

**WARNING: ANY MODIFICATION OF THE APPLIANCE THAT HAS NOT BEEN APPROVED IN WRITING BY THE TESTING AUTHORITY IS CONSIDERED AS BREACHING AS/NZS 4013.**

CAUTION: THIS APPLIANCE SHOULD NOT BE OPERATED WITH A CRACKED GLASS.

CAUTION: THIS APPLIANCE SHOULD BE MAINTAINED AND OPERATED AT ALL TIMES IN ACCORDANCE WITH THESE INSTRUCTIONS.

CAUTION: THE USE OF SOME TYPES OF PRESERVATIVE-TREATED WOOD AS A FUEL CAN BE HAZARDOUS.

**DO NOT CONNECT THIS UNIT TO A CHIMNEY FLUE SERVICING ANOTHER APPLIANCE.**

## Fireplace Specifications

Your fireplace is required to have the following minimum sizes:

WIDTH (at front)	622mm
WIDTH (at rear)	610 mm
HEIGHT	533 mm
DEPTH	464 mm

Chimney height 4.5m (minimum)

## Into a Masonry Fireplace

Inspect your fireplace for cracks, loose mortar or other physical defects. If repairs are required, they should be completed before installing your insert.

The fireplace chimney must be suitable for wood burning use. Check for creosote build up or other obstructions, especially if it has not been in use for some time - have chimney swept.

The existing fireplace damper is to be locked open or removed completely.

The services of a competent or certified installer are strongly recommended to install or commission this installation.

**WARNING: Do not remove bricks or mortar from your existing fireplace.**

Exception: Masonry or steel, including the damper plate, may

be removed from the smoke shelf and adjacent damper frame if necessary to accommodate a chimney liner, provided that their removal will not weaken the structure of the fireplace and chimney, and will not reduce protection for combustible materials to less than that required by the National Building Code.

The Insert must be installed in accordance with local and or national building codes. The two methods of flue connection that are acceptable in most areas are:

Full Flue Liner: (Fig.2) where a stainless steel rigid or flexible liner extends from the Insert flue collar to the top of the chimney.

**For difficult installations, this insert is approved for use with a SPND.3OFFSETA - 3" flue offset box. Only this offset box is approved for use with this insert. The use of any other offset box may cause a hazard and/ or void any warranty.**

### Full Flue Liner (Fig #2)

This fireplace insert must be installed with a continuous liner of 150mm diameter extending from the fireplace insert to the top of the chimney.

Consult your local Dealer about relining your fireplace chimney.

- 1) Measure the chimney height from the top of the existing flue to the floor of the hearth. This will allow extra length of liner for flashing and rain cap.
- 2) Feed the stainless steel liner from the top of the chimney, through the damper area and into the fireplace cavity.
- 3) Attach a stove connector to the bottom of the liner, as per the instructions provided with the chimney liner.
- 4) To mount optional rear leveling leg bolts, prop unit up to access threaded inserts under rear of unit. Thread supplied bolts into inserts, set depth to correspond to depth of fireplace drop.
- 5) Push the Insert into position inside the fireplace and attach the connector to the stove collar and secure with screws. Use the rear adjusting legs to level the Insert.

Note: To access the holes for securing connector to the stove collar, remove the top front casing. To remove, undo the screws located on both sides of the top front (Fig #3) then pull casing toward you and up. Reverse these steps to install casing top. If it is necessary to get access to the connector pipe through the flue outlet of the Insert, the baffle can be removed (see Baffle Removal section).

- 6) Measure, trim and shape a top flashing to fit the existing chimney flue. Plan for a 25mm to 38mm overlap on each side. Place flashing over top of the liner and seat firmly against the tile.
- 7) Screw flashing collar to liner. Caulk gap around flashing with RTV silicone.
- 8) Attach a rain cap to the end of the liner. A storm collar should be used. (Follow vent manufacturers instructions.)

### Combustion Air

Consult local building codes regarding combustion air supply. Intake or combustion air can be supplied to the Insert in one of

Fig. # 2

### Full Flue Liner

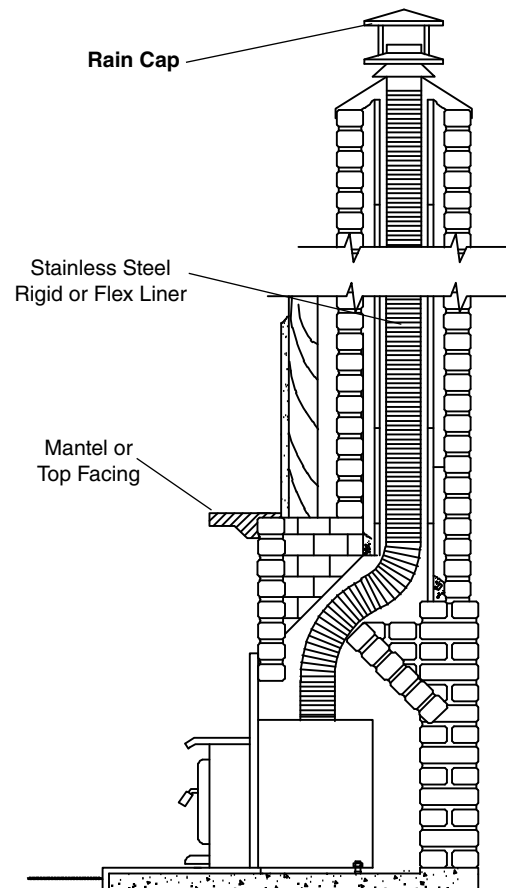
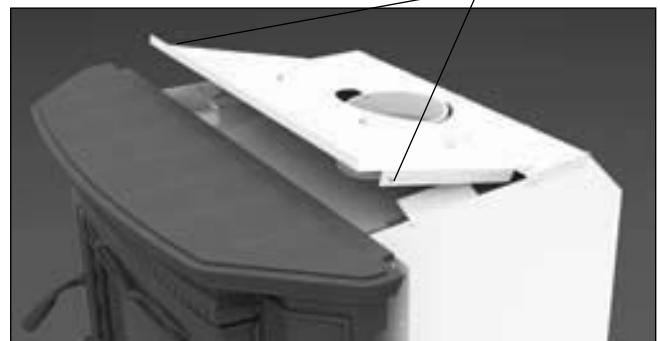


Fig. # 3

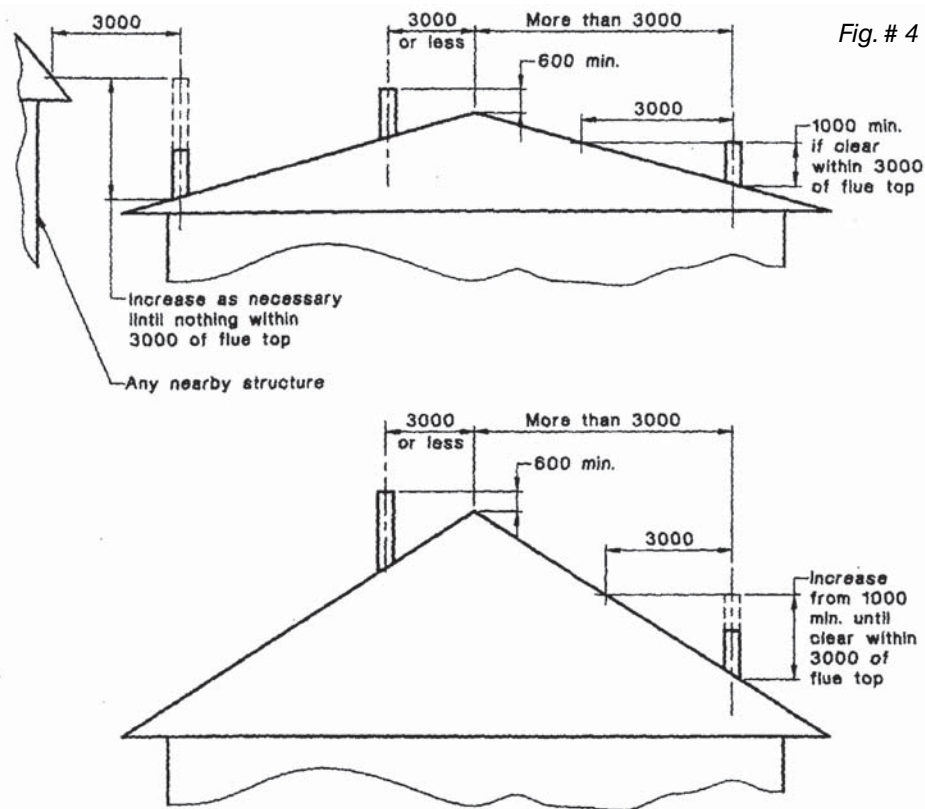
SCREWS



## Chimney and Connector

**WARNING: INSTALL CHIMNEY AND ALL COMPONENTS OF CHIMNEY SYSTEM ACCORDING TO CHIMNEY MANUFACTURER'S INSTRUCTIONS.**

Connect to a listed chimney complying with the requirements of AS/NZS2918/2001 and a chimney suitable for use with solid fuel that is lined and in good condition and meets local building codes. The chimney flue size should be the same as the stove outlet for optimal performance. Reducing or increasing the flue size may adversely affect stove performance. Chimney flue exit is to be minimum 1000mm above roof and 600mm above highest projection within 3000mm. The installation must meet all local codes. Do not connect this unit to a chimney flue serving another appliance. Minimum system height is 4600mm (measured from base of appliance).



## Installation Procedure

1. Install all components to the chimney manufacturer's installation requirements. (Outside combustion air may be required, consult local building codes. See Combustion Air section on page 12.)
2. Installed with the crimped or male ends pointing down. This will carry any liquid creosote or condensation back into the stove.

two ways:

- 1) Outside air (O/A) supply: Remove cover from ash clean out in existing fireplace. Place a rodent screen in place of the cover. Install the Insert as described in the installation section, making sure not to cover the opening of the air inlet. When installation is complete, seal surround to fireplace and anywhere else air may enter. This will ensure combustion air is drawn from outside the house and into the 229mm x 51 mm intake at the lower rear of the appliance.
- 2) Room air supply: Install the Insert as described in the installation section. When the installation is complete, do not seal surround to fireplace. This will allow enough combustion air to enter the fireplace cavity and the Insert. The knockouts in the casing sides and the O/A cover can be removed to supplement air supply (Fig.6 & 7). Once removed, combustion air is drawn from the room into the lower front of the Insert.

Removal: The O/A cover should be removed prior to installation. For better access, tip the Insert onto its back.

1. Using a 5/16" wrench, remove the screw securing the O/A cover to the firebox (Fig. #5 & 6).

This unit is not designed to be operated with the firing door open. In addition to the obvious hazard of sparks landing on combustibles, an open fire door will cause the heater to draw air from the living space and possibly cause suffocation.

Fig. # 6



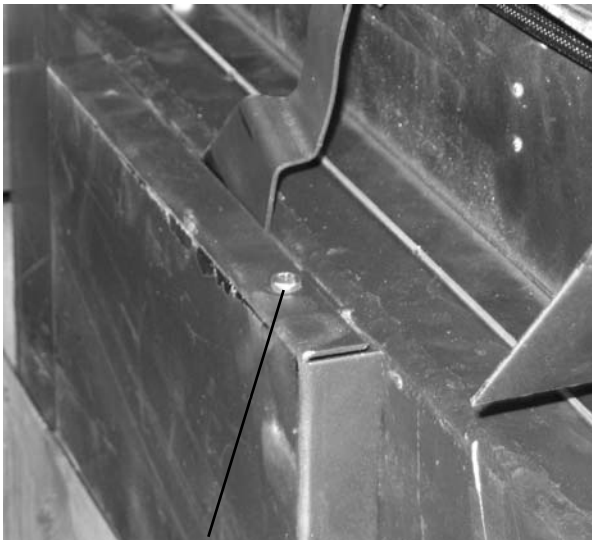
O/A Cover

The living space around the heater must be well ventilated with good air circulation. Anything that may cause a negative pressure can cause gases or fumes to be pulled into the living area.

### Fan Speed Controller Relocation

The fan speed controller is factory installed under the ash lip on the right hand side. If required, it can be relocated to the left

Fig. # 5



O/A Cover Screw

Fig. # 7

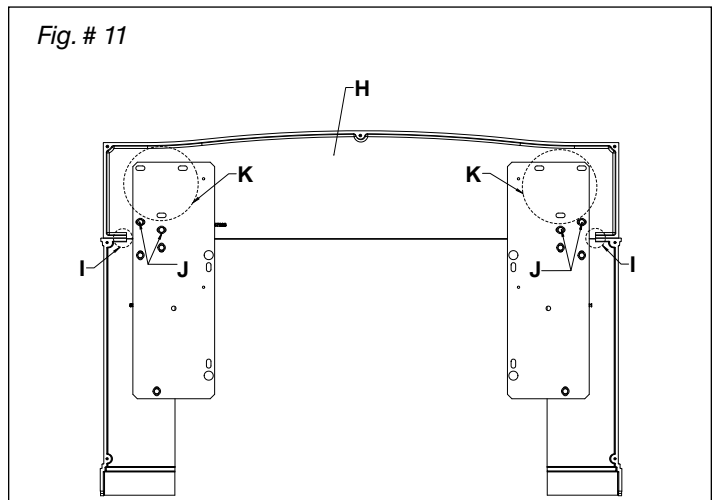
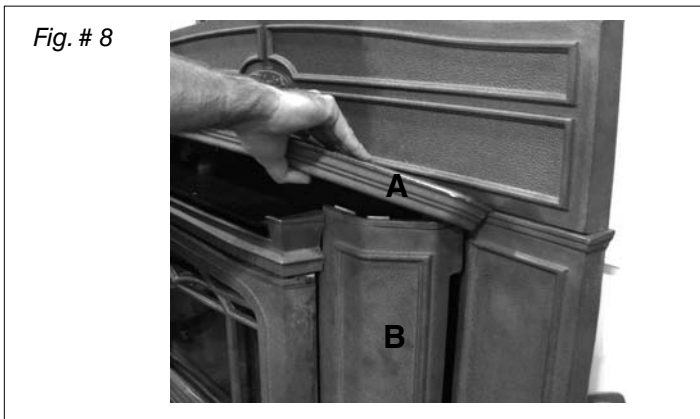
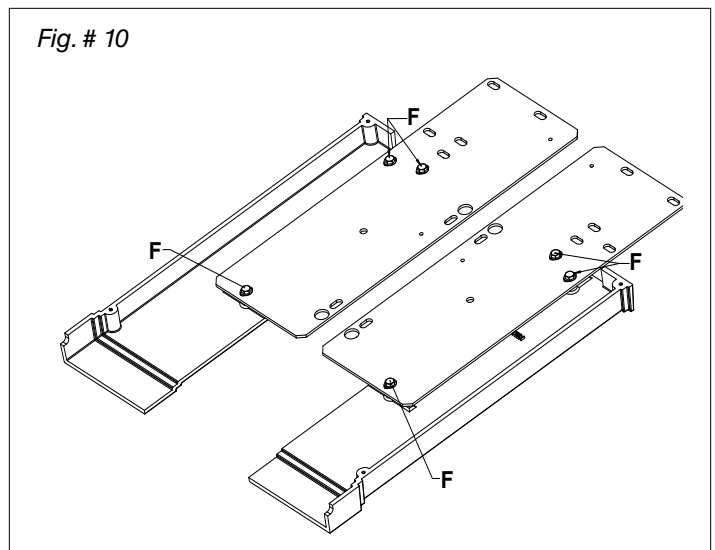


Remove Knockout

- 2) Remove Top(A) and Shields(B). (Fig. #8)
- 3) Remove Surround Top and Sides from Packaging.
- 4) Remove the surround brackets from the stove(Fig. #9) and attach to the Surround sides as shown in Fig. #10. Use the bolts and washers in the mounting hardware kit found with the Surround Top. (Fig #10)
- 5) Lay Surround sides flat on floor and align with Surround Top(H). Square the surround by aligning edges(I) on each side. Fasten bolts (J) to attach bracket.(Fig. #11)

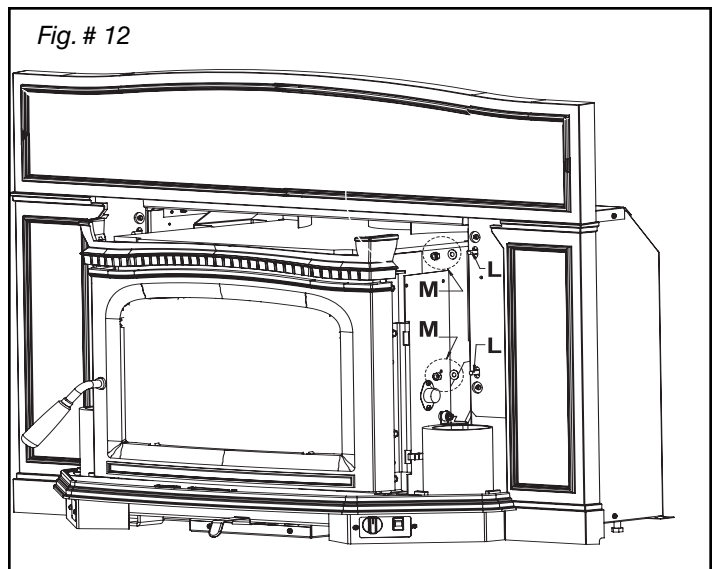
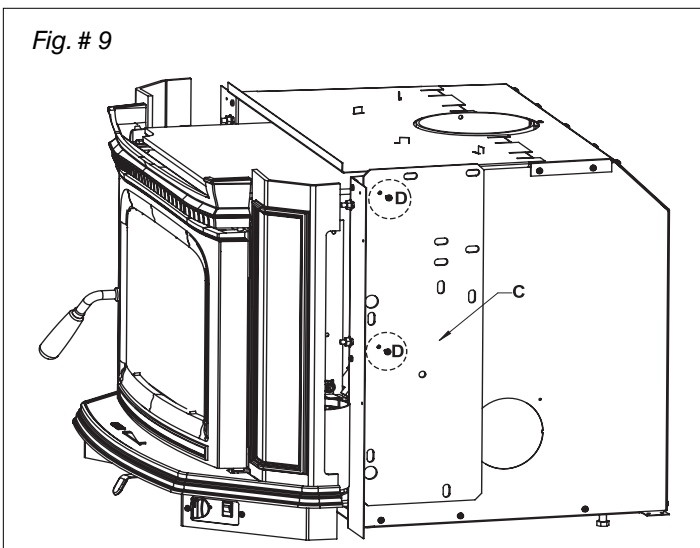
NOTE: If mounting an Oversized Surround (not shown), use mounting holes (K) to attach.(Fig. #11)

- 6) Attach surround to firebox by aligning with bracket studs (L) then fasten with washers and nuts (M) on each side. (Fig. #12)
- 7) Install fan shield as shown in Fig. #13. Be sure to place the



air inlet opening against the surround side.

- 8) Install the cast decorative top by tilting it at a slight angle,

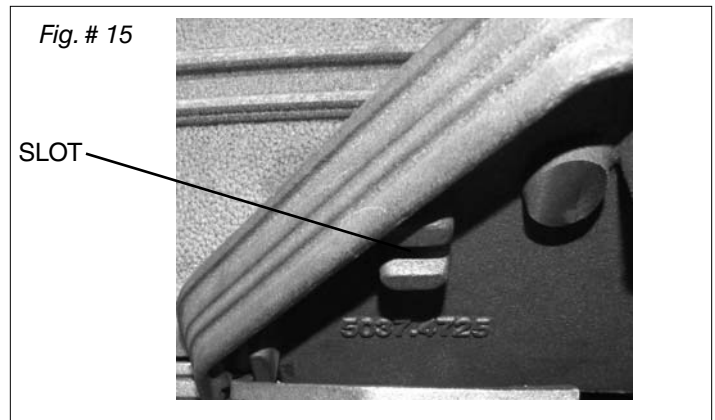
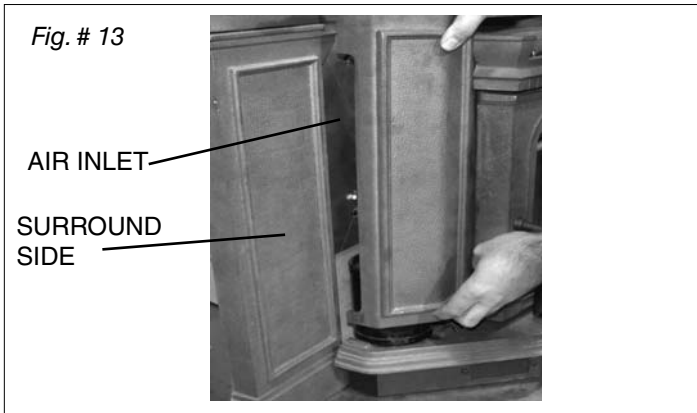


sliding it under the surround top, and settling it over the fan shields. (Fig #14).

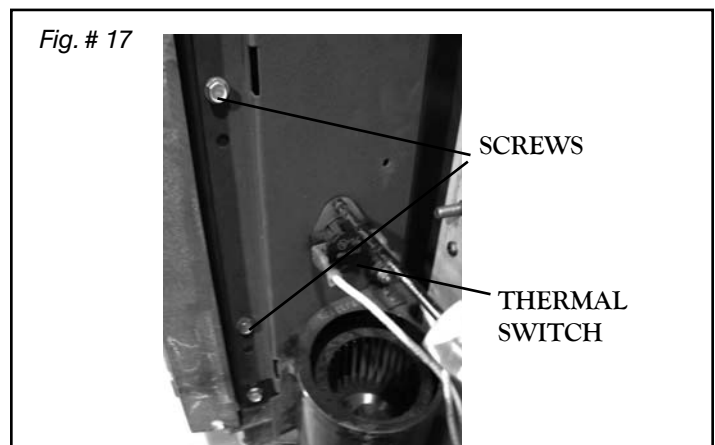
- 9) Be sure to engage fan shield tops in the slots on the underside of the cast decorative top. (Fig. #15)

## Fan Removal/Installation

- 1) Remove Decorative Top and both Fan shields as specified in "Fan Speed Control Relocation" section on page 11.



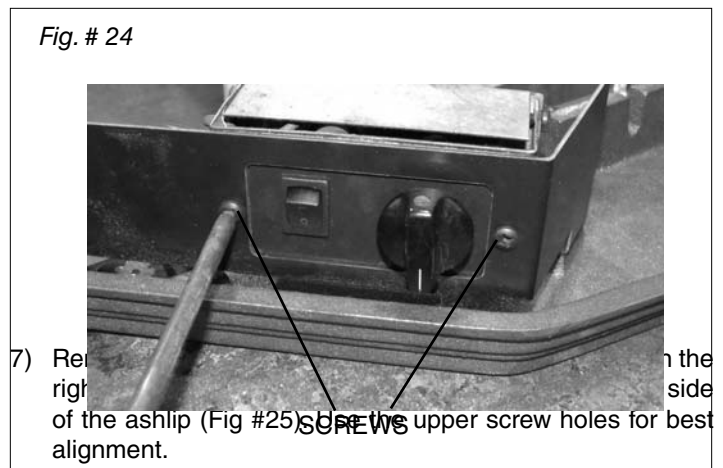
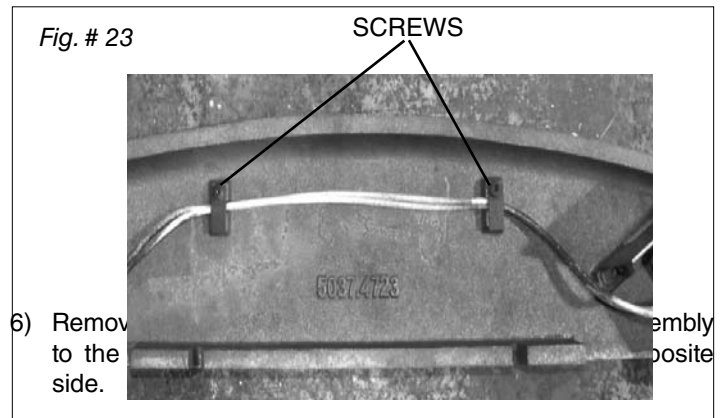
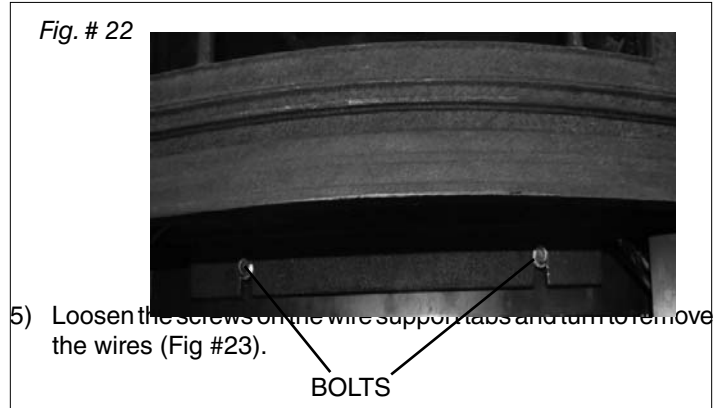
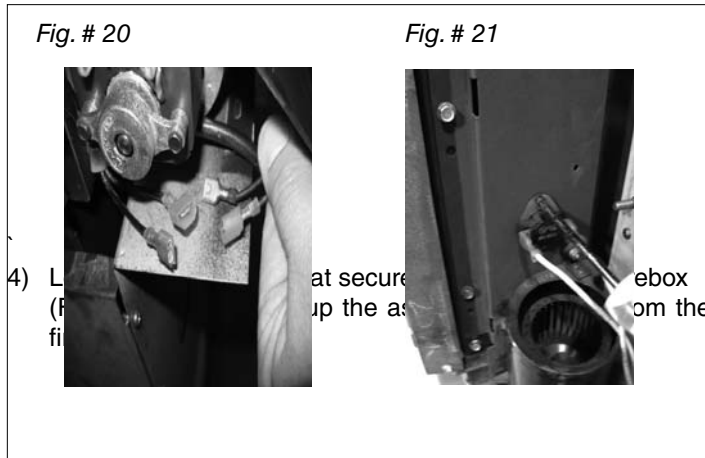
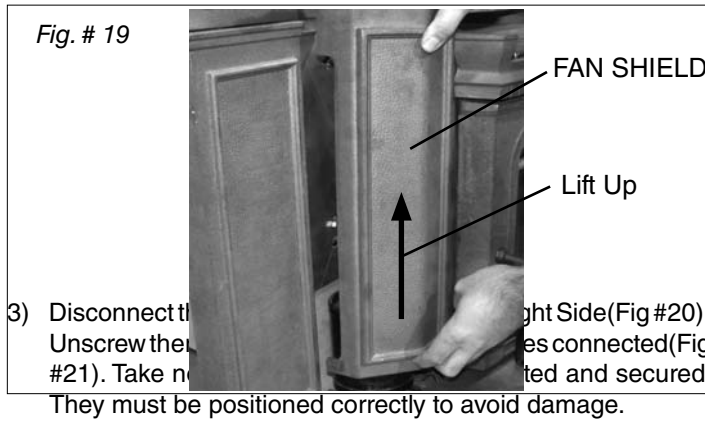
- 2) Disconnect fan wires as shown in Fig #16 from appropriate fan that is being replaced. Remove Thermal switch if needed. (Fig #17)
- 3) Remove the two screws securing the fan bracket to the stove using a 7/16" socket or wrench. Reverse steps 1&2 to install new fan.(Fig #17)





side by following the instructions below. To make this as easy as possible, it is suggested that this be done prior to fitting the surround and installation into the fireplace:

- 1) Remove the decorative top by tilting up slightly and lifting away from the unit. (Fig #18)



is important to prevent damage to wires.

## Surround Assembly and Installation

- 1) Remove crate and all plastic packaging.

Fig. # 25 SPEED CONTROL ASHLIP BRACKET



8) Reconnect the wires to the fans (Fig.28) and re-attach thermal snap switch (Fig.29).

9) Reconnect the wires to the fans (Fig.28) and re-attach thermal snap switch (Fig.29). Refit ash lip, sides and top. Ensure that the power cable is correctly routed through the surround and it is not touching the firebox side (Fig #30). Wire placement

Fig. # 28



Fig. # 26 WIRE SUPPORT TABS



Fig. # 29



THERMAL SWITCH

Fig. # 27



Fig. # 30



# Replacement Parts, Alderlea T5

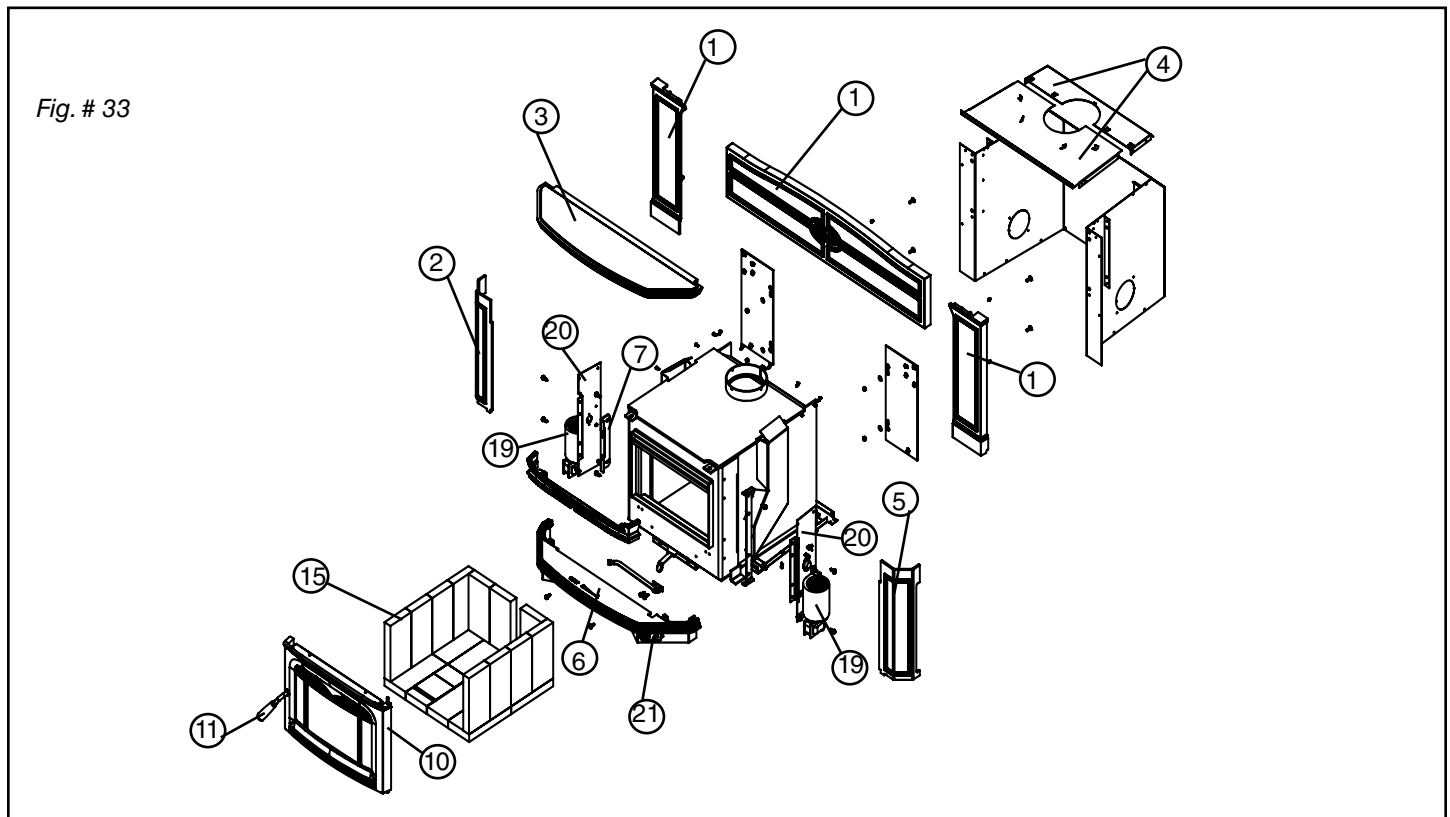
(WHEN ORDERING, INCLUDE PART NUMBER WITH DESCRIPTION)

ITEM	DESCRIPTION	PART NO.
1.....	Regular Surround.....	ALT5.SMBKA
.....	Surround, Black Enamel.....	ALT5.PBKA
.....	Surround, Majolica Brown Enamel.....	ALT5.PBNA
.....	Oversized Surround .....	ALT5.SMBKOSA
.....	O/S Surround, Black Enamel .....	ALT5.PBKOSA
.....	O/S Surround, Majolica Brown Enamel.....	ALT5.PBNOSA
2.....	Fan Shield, Left .....	5037.47221
.....	Fan Shield, Left Black Enamel .....	5037.47221BK
.....	Fan Shield, Left Majolica Brown Enamel.....	5037.47221BN
3.....	Cast Decorative Top .....	5037.4725
.....	Decorative Top, Black Enamel.....	5037.4725BK
.....	Decorative Top, Majolica Brown Enamel .....	5037.4725BN
4.....	Casing Top .....	SPND.4545
5.....	Fan Shield, Right.....	5037.47222
.....	Fan Shield, Right Black Enamel.....	5037.47222BK
.....	Fan Shield, Right Majolica Brown Enamel .....	5037.47222BN
6.....	Ash Lip Assembly .....	ALT5.50374723
.....	Ashlip Assy, Black Enamel .....	ALT5.P50274723BK
.....	Ashlip Assy, Majolica Brown Enamel.....	ALT5.P50374723BN
7.....	Door Catch .....	4740

ITEM	DESCRIPTION	PART NO.
*8.....	Glass Clamp Set (4 pc.).....	4720.01
*9.....	Replacement Glass (c/w Tape) .....	5034.20806
10.....	Door Casting, Black.....	ALT5.50374722
.....	Door Assy, Black Enamel .....	ALT5.P472201BKA
.....	Door Assy, Majolica Brown Enamel.....	ALT5.P472201MBA
11.....	Door Handle Assembly.....	ALDR.50380GR
*12.....	Flame Shield .....	WINS.4513
*13.....	Replacement Baffle Kit.....	SSER.DBAKIT
*14.....	Brick Rail, Set.....	SSER.RAILSET
15.....	Firebrick Set .....	BRIC.SSERA
*16.....	Boost Manifold .....	4105
*17.....	O/A Cover.....	514
*18.....	Air Shutter Assembly .....	WIND.4531
19.....	Blower (RHS) .....	5024.54
.....	Blower (LHS).....	5024.53
20.....	Blower Mounting Bracket .....	4541
21.....	Control Box Assembly .....	SPND.4583

Parts may be ordered from your nearest Pacific Energy dealer. Contact Pacific Energy for the location of the dealer nearest you.

\*NOT SHOWN

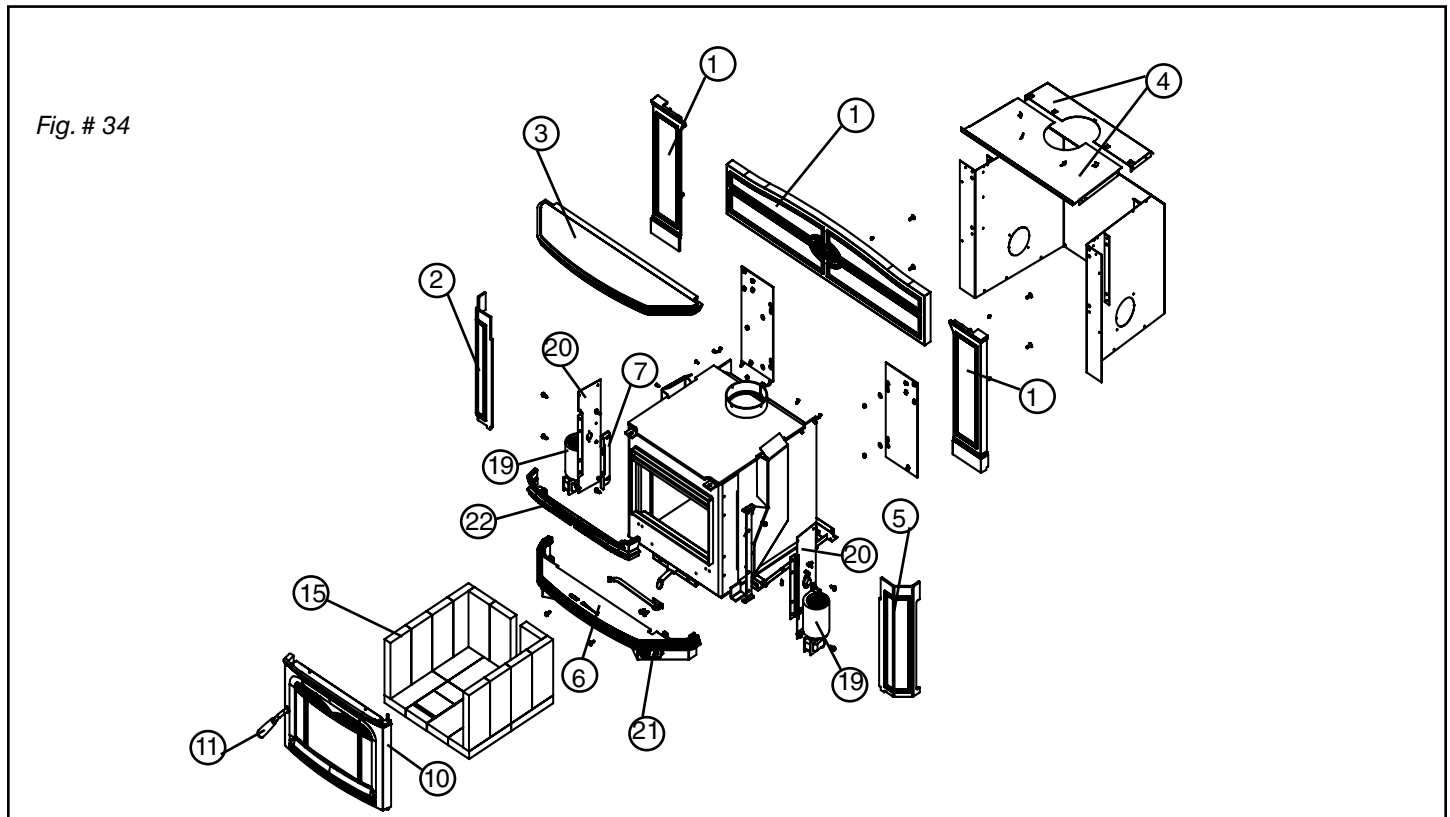


# Replacement Parts, Alderlea T5 Classic

(WHEN ORDERING, INCLUDE PART NUMBER WITH DESCRIPTION)

ITEM	DESCRIPTION	PART NO.	ITEM	DESCRIPTION	PART NO.
1.....	Surround, Black Enamel.....	ALT5.SPBKA	*8.....	Glass Clamp Set (4 pc.).....	4720.01
.....	Surround, Majolica Brown Enamel.....	ALT5.SPBNA	*9.....	Replacement Glass (c/w Tape).....	5034.20806
.....	O/S Surround, Black Enamel.....	ALT5.SPBKOSA	10.....	Door Assy, Black Enamel.....	ALT5.P472201BKA
.....	O/S Surround, Majolica Brown Enamel.....	ALT5.SPBNOSA	.....	Door Assy, Majolica Brown Enamel.....	ALT5.P472201BN
2.....	Fan Shield, Left Black Enamel.....	ALT5.P4728BKA	.....	Clearview Door.....	.....
.....	Fan Shield, Left Majolica Brown Enamel.....	ALT5.P4728BN	.....	Black Enamel.....	ALT5.P472202BKA
3.....	Decorative Top, Black Enamel.....	ALT5.P4725BKA	.....	Majolica Brown, Enamel.....	ALT5.P472202BNA
.....	Decorative Top, Majolica Brown Enamel.....	ALT5.P4725BN	11.....	Door Handle Assembly.....	ALDR.50380GR
4.....	Casing Top.....	SPND.4545	*12.....	Flame Shield.....	WINS.4513
5.....	Fan Shield, Right Black Enamel.....	ALT5.P4729BKA	*13.....	Replacement Baffle Kit.....	SSER.DBAKIT
.....	Fan Shield, Right Majolica Brown Enamel.....	ALT5.P4729BN	*14.....	Brick Rail, Set.....	SSER.RAILSET
6.....	Ashlip Assy, Black Enamel.....	ALT5.P50274723BK	15.....	Firebrick Set.....	BRIC.SSERA
.....	Ashlip Assy, Majolica Brown Enamel.....	ALT5.P50374723BN	*16.....	Boost Manifold.....	4105
7.....	Door Catch.....	4740	*17.....	O/A Cover.....	514
			*18.....	Air Shutter Assembly.....	WIND.4531
			19.....	Blower (RHS).....	5024.54
			.....	Blower (LHS).....	5024.53
			20.....	Blower Mounting Bracket.....	4541
			21.....	Control Box Assembly.....	SPND.4583
			22.....	Crown Assembly, Black.....	ALT5.P50374724BK
			.....	Crown Assembly, Brown.....	ALT5.P50374724BN

\*NOT SHOWN



---

# Troubleshooting

<b>Problem</b>	<b>Cause</b>	<b>Cure</b>
<b>Excessive Creosote Buildup</b>	1) Wood is too wet	- Use dry wood
	2) Turning down air control too soon	- Do not turn down until: a) there is a good bed of coals b) the wood is charred
	3) Draft too low	- Improper chimney height and/or diameter - Chimney plugged or restricted, check flue - Provide outside air for combustion
<b>Glass is Dirty</b>	1) See 1, 2, and 3 above	
	2) Door Gasket leakage	- Replace gasket - Check latch
<b>Low Heat Output</b>	1) Wood is wet	- Use dry wood
	2) Fire too small	- Build a larger fire
	3) Area too large	
	4) Poor insulation or open concrete	
<b>Won't Burn Overnight</b>	1) Air control set too high	- Set control lower
	2) Not enough wood	- Unsplit wood is preferred for overnight burns
	3) Possible air leak	- Door gasket needs changing
<b>Stove Won't Burn</b>	1) Combustion air supply is blocked	- Check outside air supply for obstructions (see Combustion Air section)
	2) Draft too low	- Chimney plugged or restricted Inspect and clean - Chimney oversized or otherwise unsuitable Consult Dealer



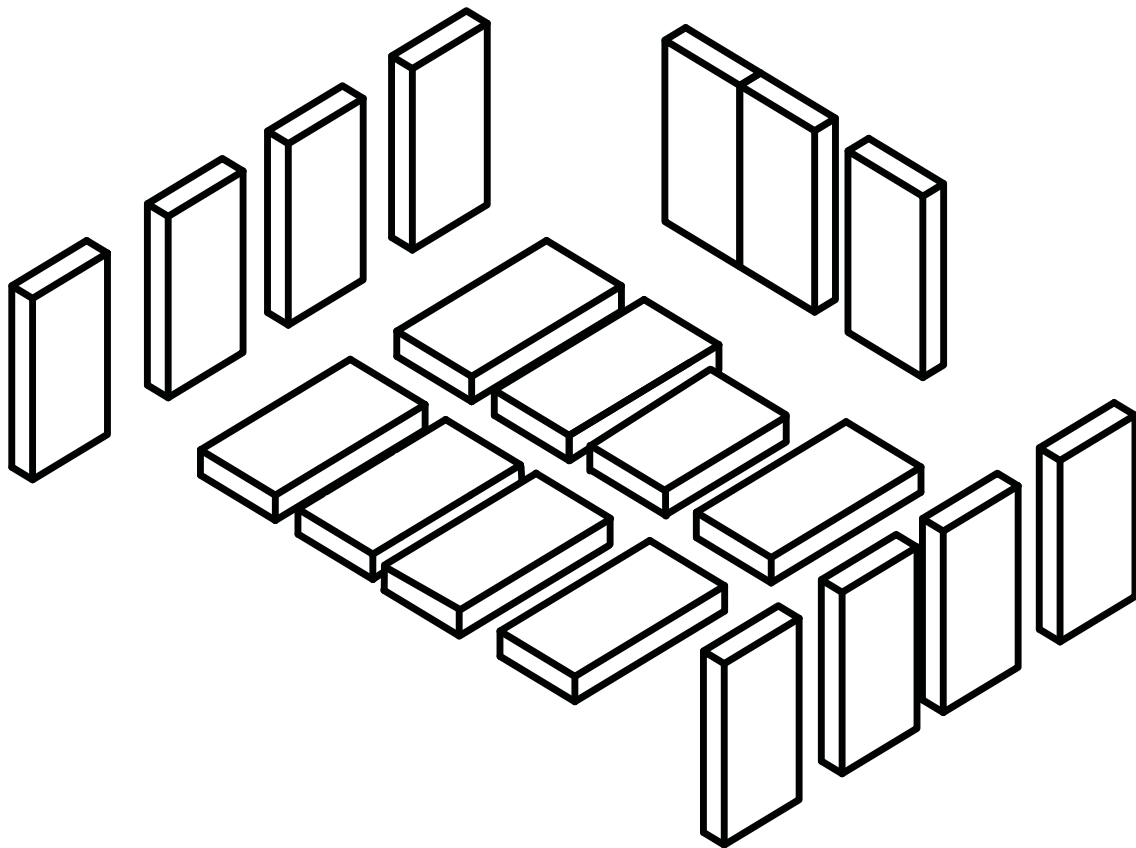
# Firebrick Installation

## *Alderlea T5 Insert*

This package contains 18 full-size firebricks, as well as 1 cut-size brick.

With the heater in the upright position, install firebricks as follows:

- Place firebricks on the bottom of the heater first. Total of 7 full-size and 1 cut brick.
- Next, install the side firebricks, 4 full-size each side.
- Lastly, install 3 full-size firebricks against the rear wall.



ITEM	SIZE	PART NUMBER
A	230 mm x 115 mm x 32 mm	<i>N. America</i> 5096.99
B	184 mm x 115 mm x 32 mm	245.0

Label



PACIFIC ENERGY FIREPLACE PRODUCTS LTD.  
2975 ALLENBY RD., DUNCAN, BC V9L 6V8

Model: **ALDERLEA T5**

Series: **D**

Type: **FIREPLACE INSERT**

Tested by: **HRL TECHNOLOGY PTY LTD**  
**TRAMWAY ROAD, MORWELL, VICTORIA**

Tested to: **AS/NZS 4013:1999**

Test report no: **HCMG/13/048**      **1/OCT/2013**

**MAXIMUM AVERAGE HEAT OUTPUT BURNING  
HARDWOOD - 10.0 kW**

**OVERALL AVERAGE EFFICIENCY BURNING  
HARDWOOD - 67%**

**WHEN TESTED IN ACCORDANCE WITH  
AS/NZS 4012**

Distributed by: **PIVOT STOVE & HEATING CO**  
**234-238 MOORABOOL STREET, GEELONG VIC 3220**  
pivotstoves.com.au

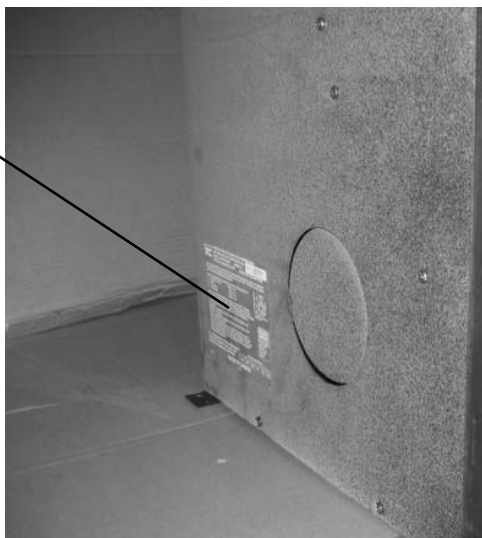
**MADE IN CANADA**

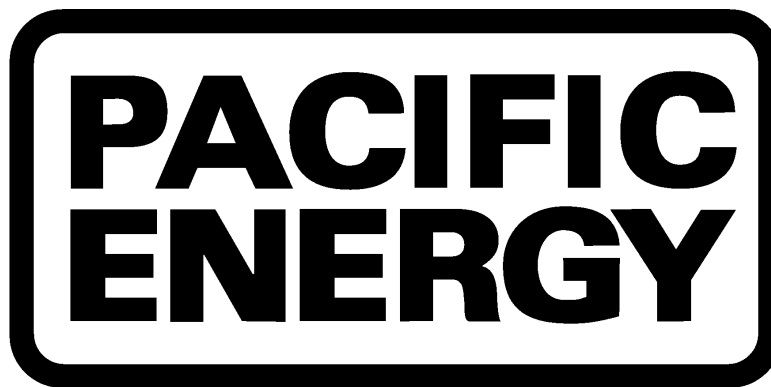
050914

5050.44AS

The certification label is located on the left side casing of the insert.

CERTIFICATION  
LABEL





**PACIFIC ENERGY FIREPLACE PRODUCTS LTD.**

**[www.pacificenergy.net](http://www.pacificenergy.net)**

**Technical Support: 1-250-748-1184**

**2975 Allenby Rd., Duncan, B.C. V9L 6V8**

Printed in Canada